

## Product Specification

### Cage EMI / Dust Plug for Small Form-factor Pluggable (SFP) Applications

V23818-S5-B1

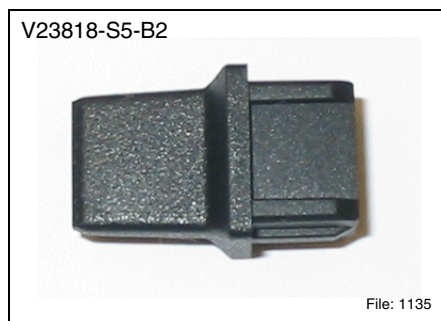
V23818-S5-B2

#### DESIGN BENEFITS

- SFP MSA compliant<sup>1)</sup>
- Prevents internal system component contamination
- Maintains system airflow requirements
- Silicon based material for
  - simplified “blind” insertion
  - improved retention in high vibration environments
  - secure fit in all cage designs
  - extended temperature performance
- Improves system EMI performance (V23818-S5-B1)

#### APPLICATIONS

- For use with Finisar V23838-S5-N1 / -N1-BB SFP cages
- Multi-port switches
- Unclean environments
- Any unused SFP ports



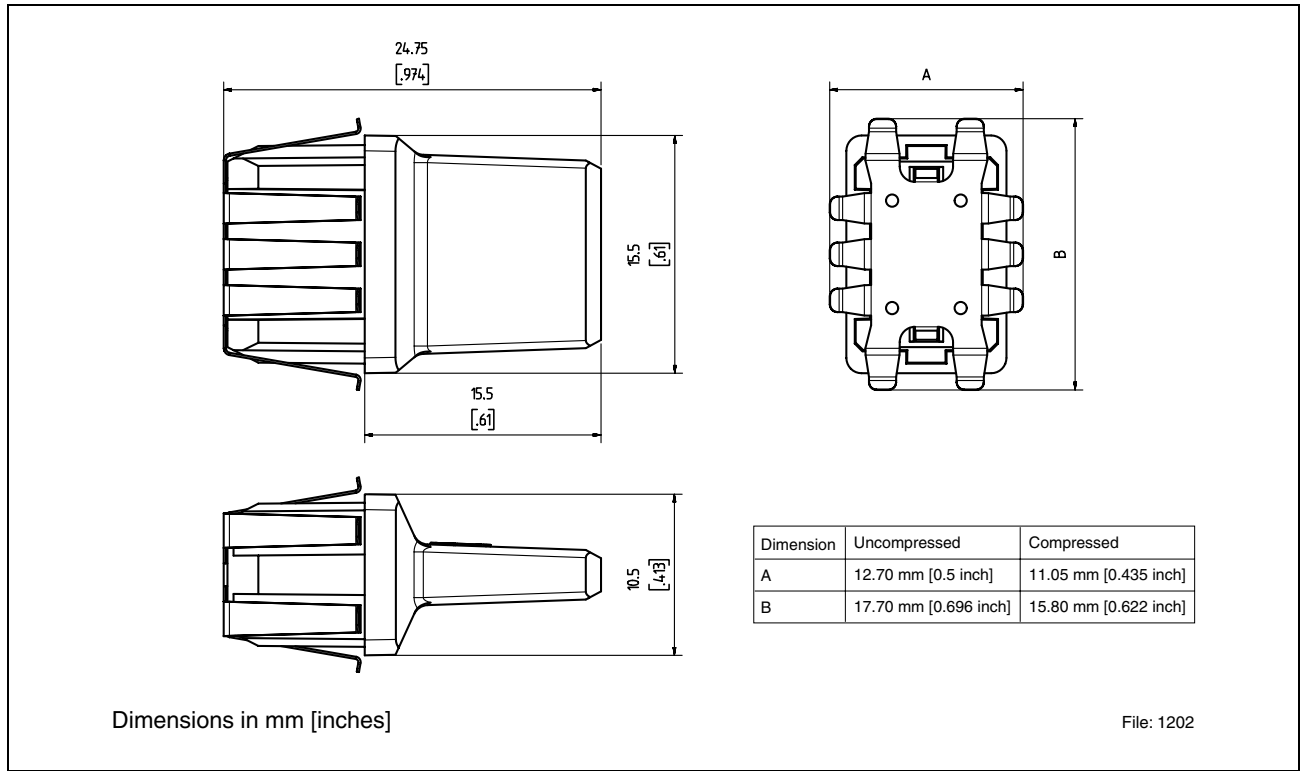
#### PRODUCT SELECTION

Part Number	Application
V23818-S5-B1	EMI / Dust Plug
V23818-S5-B2	Dust Plug

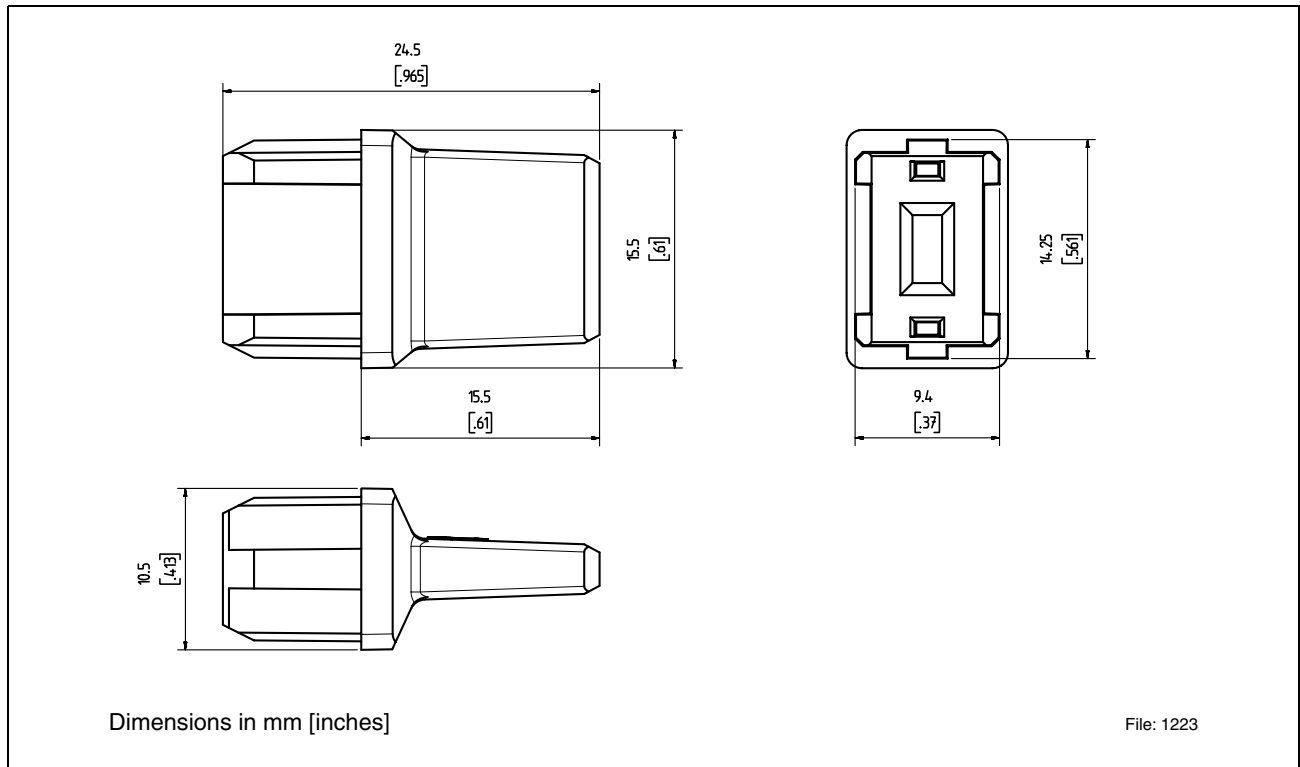
#### Notes:

1) Current MSA documentation can be found at <http://www.sffcommittee.org/ie>.

**Package Outlines**



**Figure 1 V23818-S5-B1**



**Figure 2 V23818-S5-B2**

<b>Revision History:</b>	<b>March 17, 2004</b>	<b>Rev. C</b>
Previous Version:	May 09, 2003	
<b>Page</b>	<b>Subjects</b> (major changes since last revision)	
	Company name has been changed Document's layout has been changed <b>December 2004</b>	

**For More Information**

Finisar Corporation  
1308 Moffett Park Drive  
Sunnyvale, CA 94089-1133  
Tel. 1-408-548-1000  
Fax 1-408-541-6138  
[sales@finisar.com](mailto:sales@finisar.com)  
[www.finisar.com](http://www.finisar.com)